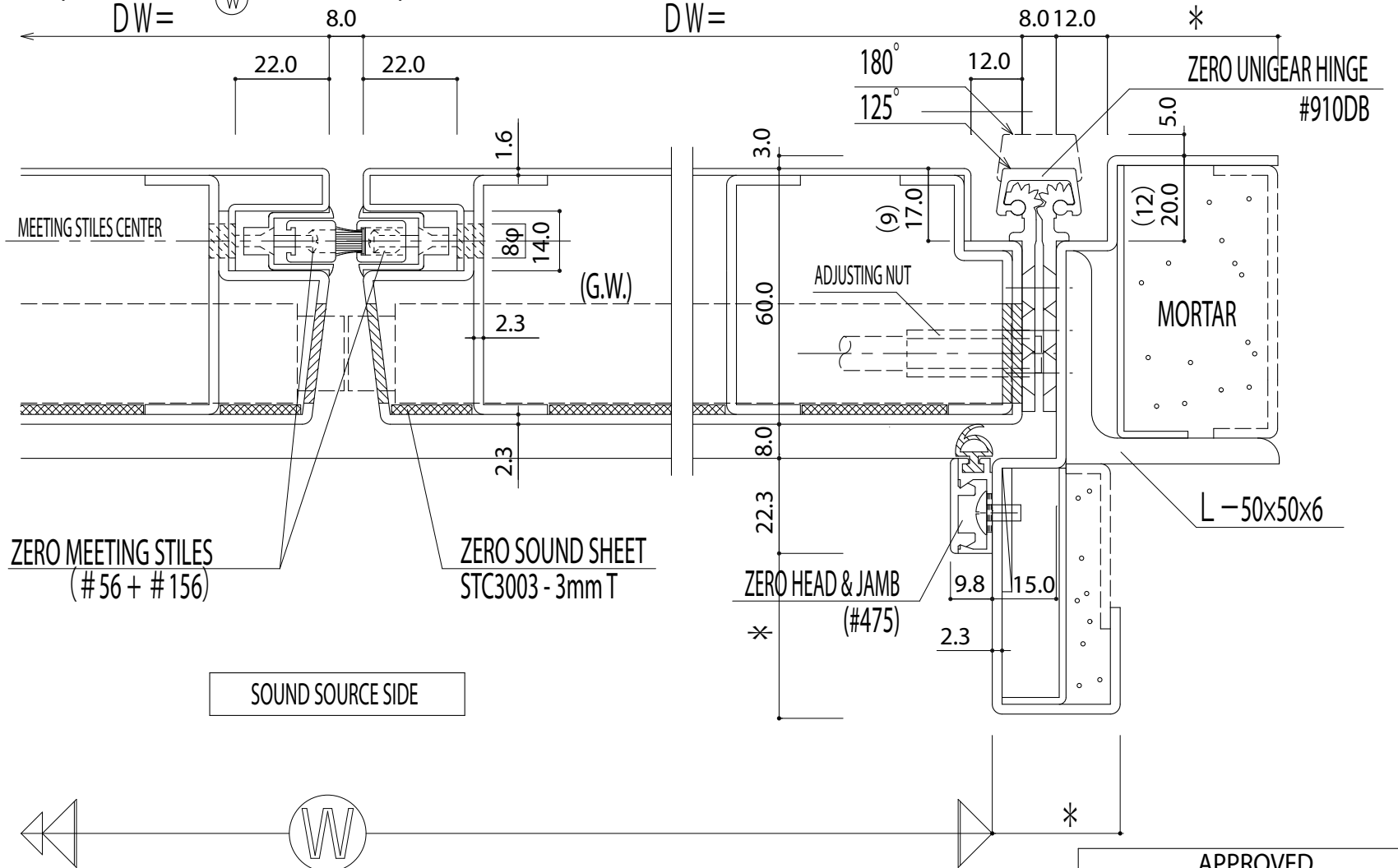


MARK	SD	PLACE	QTY	GLASS	REMARKS
	107				
ITEMS	PRODUCTS	QTY.	REMARKS		
ZERO UNIGEAR HINGE	#910DB	2			
ZERO AUTO. DOOR BOTTOM	#362	2	PULL OUT		
ZERO MEETING STILES	#156 + #56	1+1			
ZERO HEAD & JAMB	#475	3			
CONCEALED DOOR CLOSER	#2010	2			
CYLINDER DEAD BOLTS		2			
DOOR HANDLE		2			
DOOR STOP		2			
ZERO SOUND SHEET	STC-3003	1	3mmT		

* INSIDE OF DOOR: G.W. 48KG/M3
 * FINISH OF DOOR HARDWARE NEED TO BE SPECIFIED
 * DOOR STOP MUST BE USED



* REINFORCEMENT MATERIALS AND SETTING ARE FOR REFERENCE ONLY

* WHEN AUTO DOOR OPERATOR IS USED. FOR HANDICAPED, SENIOR PEOPLE, HEADER FRAME MUST BE SUITABLE TO IT. SEE THE OPERATOR CATALOG

REMARKS
 DOOR AND FRAME MUST BE FILLED WITH MORTAR,
 GLASS WOOL OR ROCK WOOL
 NON FIRE RATED

TITLE
DOUBLE DOOR STC 25-30
 CHECKED BY
 DRAWN BY
 SCALE
 1/20 1/1

ZERO INTERNATIONAL, INC.
 ZERO ASIA PACIFIC CO., LTD.

PROJECT
 CUSTOMER
 CONSULTANT

APPROVED
 DATE
 BY
 PAGE
 DRAWING NO.
ZR-107 STC-30