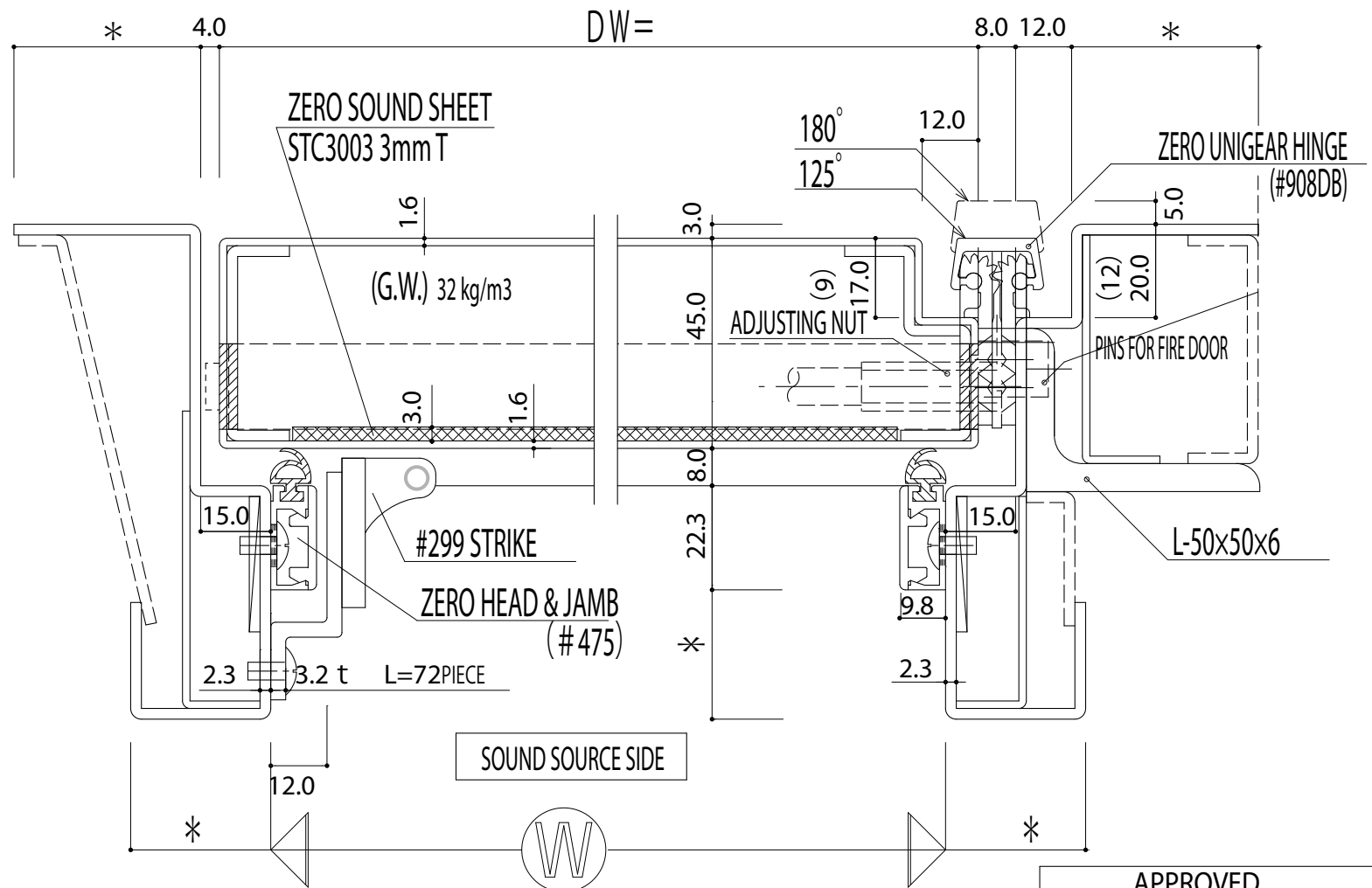


MARK	SD 105A	PLACE		
W			QTY	GLASS
H				
ITEMS		PRODUCTS	QTY.	REMARKS
ZERO UNIGEAR HINGE		#908DB	1	PINS
ZERO AUTO. DOOR BOTTOM		#352	1	PULL OUT TYPE
ZERO HEAD & JAMB		#475	3	
CONCEALED DOOR CLOSER		#2010	1	
EXIT DEVICE (OPTION)		#L98RIM	1	WITH LEVER (OUT)
DOOR STOP			1	
ZERO SOUND SHEET		STC3003		3mm T

- * INSIDE OF DOOR: G.W. 32KG/M3
- * FINISH OF DOOR HARDWARE NEED TO BE SPECIFIED
- * EXIT DEVICE CAN BE ELECTRICALLY CONTROLLED
- * EXIT DEVICE WITH LEVER HANDLE OUTSIDE
- * DOOR STOP MUST BE USED



* REINFORCEMENT MATERIALS AND SETTING ARE FOR REFERENCE ONLY

* WHEN AUTO DOOR OPERATOR IS USED. FOR HANDICAPED, SENIOR PEOPLE, HEADER FRAME MUST BE SUITABLE TO IT. SEE THE OPERATOR CATALOG

APPROVED	
DATE	
BY	

REMARKS
DOOR AND FRAME MUST BE FILLED WITH MORTAR, GLASS WOOL OR ROCK WOOL

TITLE
SINGLE DOOR STC-30

CHECKED BY _____ DRAWN BY _____ SCALE 1/20 1/1



ZERO INTERNATIONAL, INC.
ZERO ASIA PACIFIC CO., LTD.

PROJECT
CUSTOMER _____ CONSULTANT _____

PAGE
DRAWING NO. **ZR-105A STC-30**