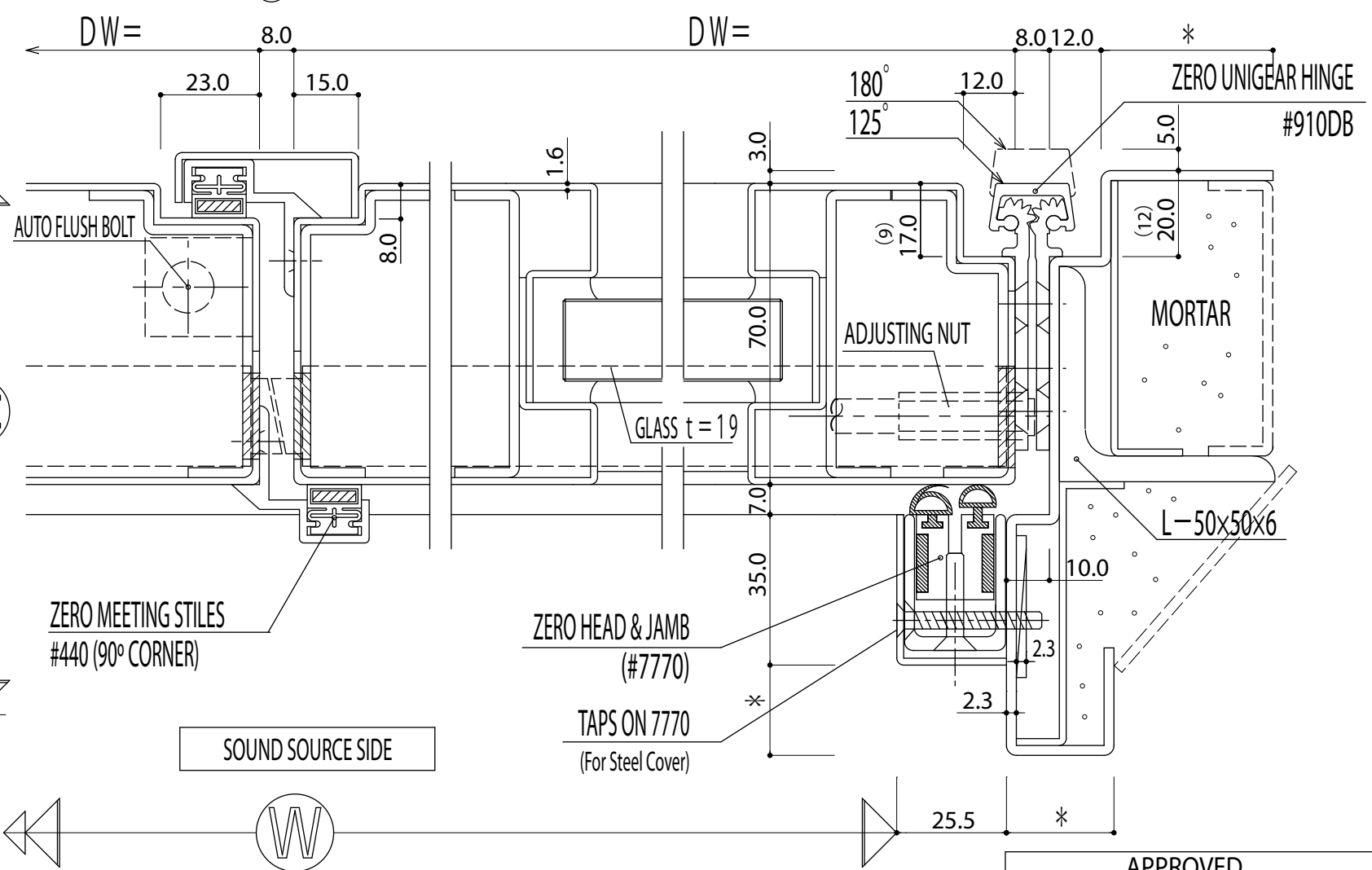


MARK	SD	PLACE	QTY	GLASS	REMARKS
	103GL				
W					
H					
ITEMS	PRODUCTS	QTY.	REMARKS		
ZERO UNIGEAR HINGE	#910DB	2			
ZERO AUTO. DOOR BOTTOM	#368	2	PULL OUT		
ZERO MEETING STILES	#440	2			
ZERO HEAD & JAMB	#7770	3			
CONCEALED DOOR CLOSER	#2010	2			
DOOR COORDINATOR	#COR+#FB	1			
AUTO FLUSH BOLT		1			* INSIDE OF DOOR: G.W. 48KG/M3
GLASS	19mm T	2			* FINISH OF DOOR HARDWARE NEED TO BE SPECIFIED
LEVER HANDLE OR DOOR HANDLE		1/2			* DOOR STOP MUST BE USED
DOOR STOPS		2			



* REINFORCEMENT MATERIALS AND SETTING ARE FOR REFERENCE ONLY

* FOR FIRE DOOR 1.6mm THICK STEEL ASTRAGAL IS NEEDED
* HINGE PINS NEEDED FOR FIRE DOOR

REMARKS
DOOR AND FRAME MUST BE FILLED WITH MORTAR, GLASS WOOL OR ROCK WOOL

TITLE		
DOUBLE FIRE DOOR STC-35		
CHECKED BY	DRAWN BY	SCALE
		1/20 1/1



ZERO INTERNATIONAL, INC.
ZERO ASIA PACIFIC CO., LTD.

PROJECT		PAGE	
CUSTOMER	CONSULTANT		
DRAWING NO.		ZR-103GL STC-35	

APPROVED	
DATE	
BY	