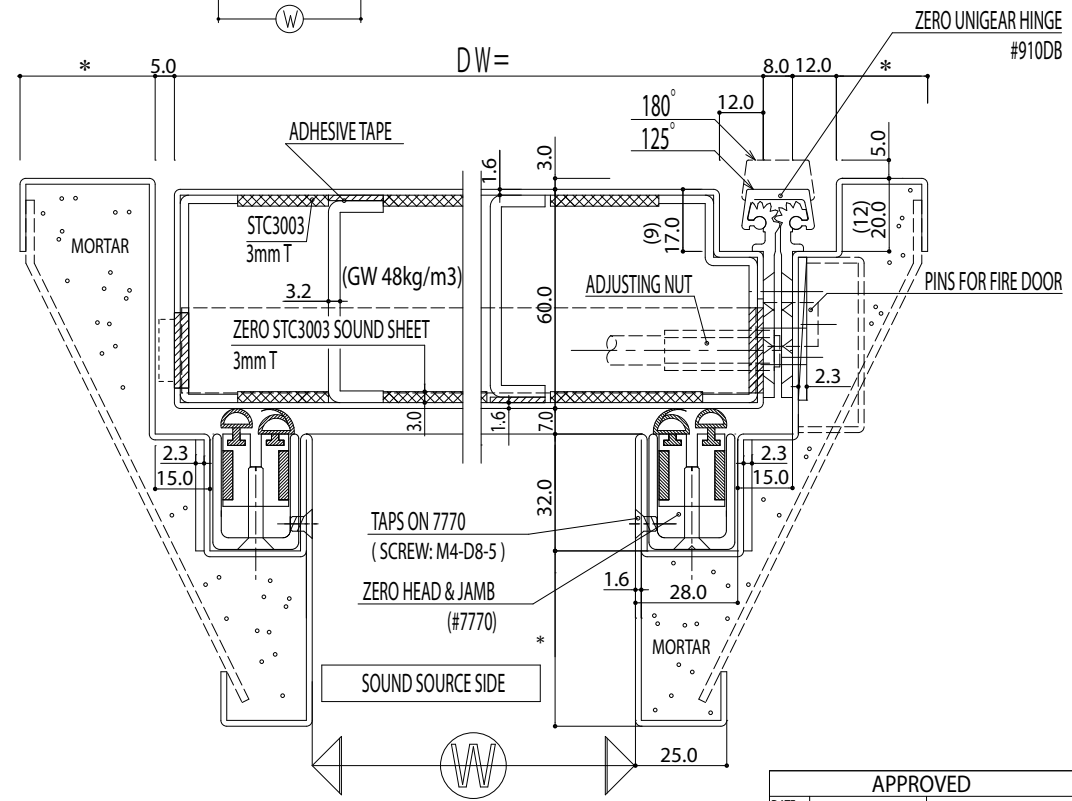


MARK	SD TOZE	PLACE	QTY	GLASS	REMARKS
		ITEMS	PRODUCTS	QTY.	REMARKS
		ZERO UNIGEAR HINGE	#910DB	1	
		ZERO AUTO. DOOR BOTTOM	#368	1	
		ZERO HEAD & JAMB	#7770	3	
		CONCEALED DOOR CLOSER	#2310ME	1	DC24V
		CREMONE HANDLE LOCK	SU-GT61	1	OPTION
		DOOR STOP		1	
		ZERO SOUND SHEET	STC 3003	1	3mm T

INSIDE OF DOOR: G.W. 48KG/M3
 DOOR STOP MUST BE USED
 FINISH OF DOOR HARDWARE NEED TO BE SPECIFIED



* THE DOOR CLOSER CAN BE MODIFIED TO A PNEUMATIC OR ELECTRIC DOOR OPERATOR.
 * REINFORCEMENT MATERIALS AND SETTING ARE FOR REFERENCE ONLY

REMARKS
 DOOR AND FRAME MUST BE FILLED WITH MORTAR,
 GLASS WOOL OR ROCK WOOL

TITLE SINGLE FIRE DOOR STC-38
 WITH CREMONE HANDLE LOCK: STC-40 (OPTION)
 CHECKED BY _____ DRAWN BY _____ SCALE 1/20 1/1

ZERO INTERNATIONAL
 ZERO INTERNATIONAL, INC.
 ZERO ASIA PACIFIC CO., LTD.

PROJECT _____
CUSTOMER _____
CONSULTANT _____

APPROVED
 DATE _____
 B Y _____
 PAGE _____
DRAWING NO. ZR-102E STC-38