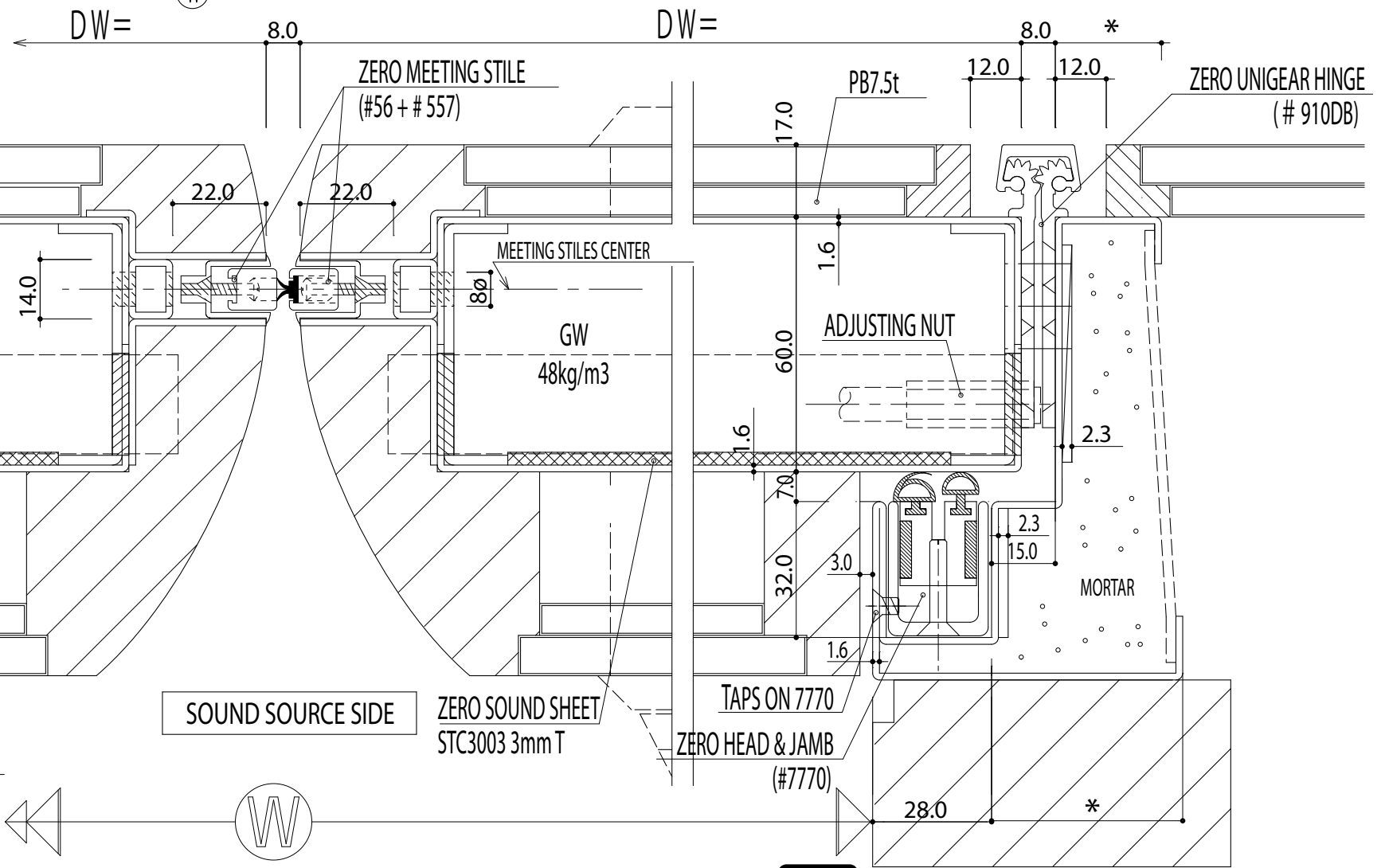


MARK	SD	PLACE		
W	H	QTY	GLASS	
ITEMS		PRODUCTS	QTY.	REMARKS
		ZERO UNIGEAR HINGE	# 910DB	2
		ZERO AUTO. DOOR BOTTOM	# 368	2
		ZERO MEETING STILES	# 56+ # 557	1+1
		ZERO HEAD & JAMB	# 7770	3
		CONCEALED DOOR CLOSER	# 2010	2
		CYLINDER DEAD LOCKS		2
		DOOR STOP		2
		ZERO SOUND SHEET	STC3003	2 3mm T

* INSIDE OF DOOR: G.W. 48KG/M3
 * DOOR STOP MUST BE USED
 * FINISH OF DOOR HARDWARE NEED TO BE SPECIFIED



* WHEN AUTO DOOR OPERATOR IS USED, THE DOOR THICKNESS, HEADER MUST BE PREPARED CORRECTLY. SEE THE OPERATOR CATALOG.
 * REINFORCEMENT MATERIALS AND SETTING ARE FOR REFERENCE ONLY



CAN BE MODIFIED FOR HANDICAPED / SENIOR PEOPLE

APPROVED	
DATE	
BY	

REMARKS
DOOR AND FRAME MUST BE FILLED WITH MORTAR, GLASS WOOL OR ROCK WOOL

TITLE	NON FIRE RATED DOUBLE DOOR (THEATER) STC-30		
CHECKED BY	DRAWN BY	SCALE	
		1/20	1/1



ZERO INTERNATIONAL, INC.
 ZERO ASIA PACIFIC CO., LTD.

PROJECT	
CUSTOMER	
CONSULTANT	

PAGE	— △
DRAWING NO.	ZR-101B STC-30