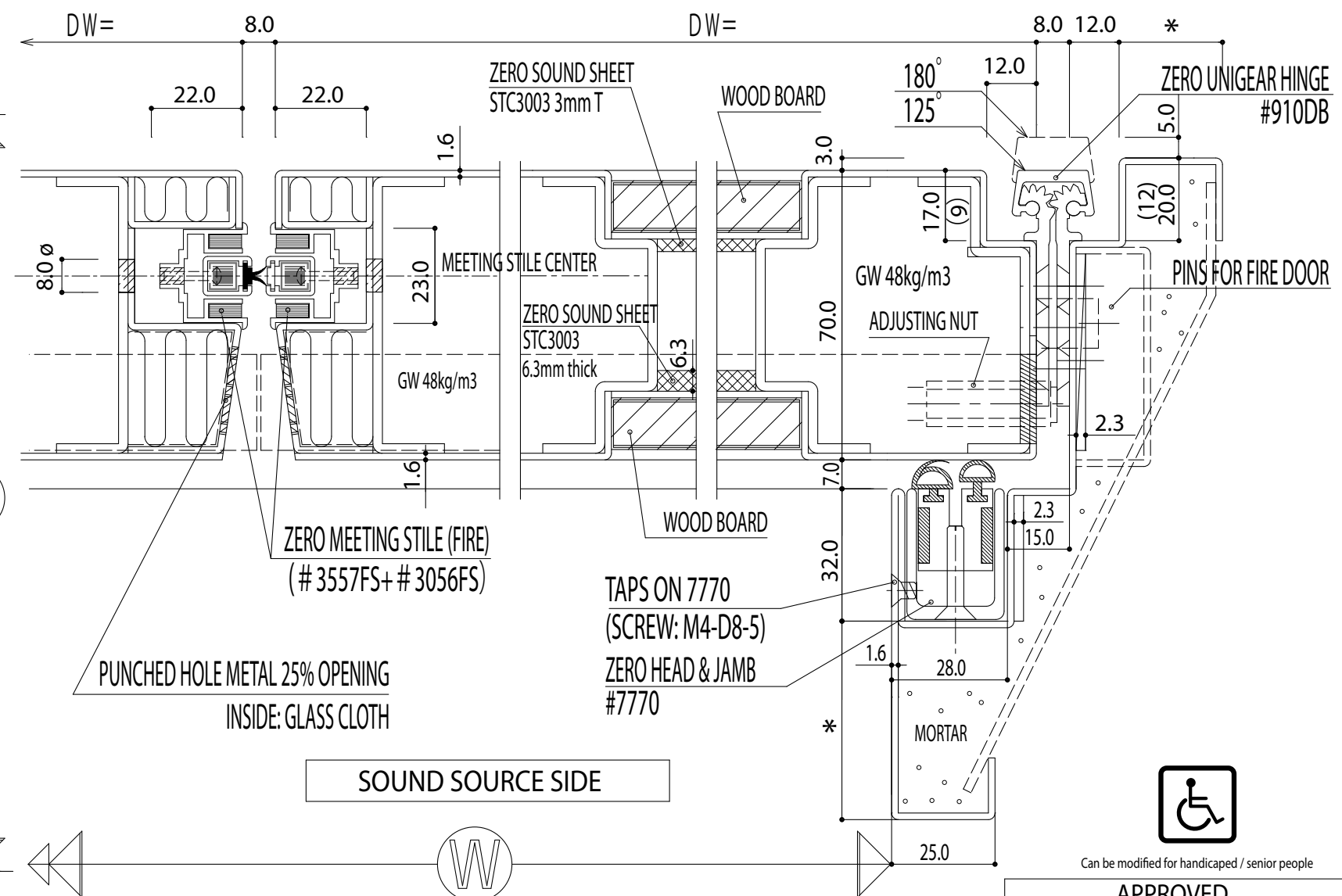


MARK	SD	PLACE	QTY	GLASS	REMARKS
F100B					
ITEMS	PRODUCTS	QTY	REMARKS		
ZERO UNIGEAR HINGE	#910DB	2	PINS		
ZERO AUTO. DOOR BOTTOM	#368	2			
ZERO MEETING STILES	#3056FS+#3557FS	1+1			
ZERO HEAD & JAMB	#7770	3			
CONCEALED DOOR CLOSER	#2310ME	2	24VDC		
CYLINDER DEAD LOCK					
DOOR HANDLE		2			
DOOR STOP		2			
ZERO SOUND SHEET	STC3003	2	6.3 + 3 mm T		

* INSIDE OF DOOR: G.W. 48KG/M3
 * DOOR STOP MUST BE USED
 * FINISH OF DOOR HARDWARE NEED TO BE SPECIFIED



Can be modified for handicapped / senior people

APPROVED	
DATE	
B Y	

REMARKS
 DOOR AND FRAME MUST BE FILLED WITH MORTAR, GLASS WOOL OR ROCK WOOL

TITLE DOUBLE DOOR (THEATER) STC-35		
CHECKED BY	DRAWN BY	SCALE
		1/20 1/1



ZERO INTERNATIONAL, INC.
 ZERO ASIA PACIFIC CO., LTD.

PROJECT	
CUSTOMER	
CONSULTANT	

PAGE	
DRAWING NO	ZR-100A STC-35